

# SUBWOOFER

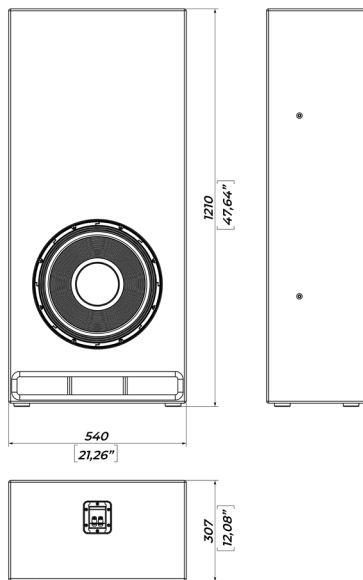
Series



## HAMMER-15

### SUBWOOFER

Hammer 15 is perfect subwoofer for a high-end home cinema. It is equipped with long-excursion 15" woofer. A special slim design allows to put the subwoofer in an extremely narrow space behind the screen, and with an optional brackets, Hammer 15 is easily mounted directly on the wall.



### SAFETY INSTRUCTIONS

1. Do not pour liquids on the speaker system - this may cause driver cone destruction and an unappealing speaker appearance. Do not allow direct sunlight on the speaker cone - this will reduce its resource dramatically. For fire safety do not install the speaker system near open flames or heating elements.
2. Do not use the speaker system with the damaged connector or speaker cable - this is an electric shock hazard and fire hazard.
3. Make sure the speaker system is firmly set up on the ceiling, stage, or wall (where applicable).
4. While setting the speaker system up on a slope or slippery surface, make necessary arrangements to avoid its movement due to its vibration.
5. This loudspeaker system is capable of delivering a significant sound pressure level. To avoid permanent or temporary hearing damage or loss, prolonged exposure to sound pressure levels exceeding values over 90 dB should be limited.

### SPECIFICATIONS

Frequency Response ( $\pm 3$ dB)	18 - 120 Hz
Frequency range (-10 dB)	16 - 140 Hz
Max SPL	See CTA table
Sensitivity (1W/1m)	94 dB
Low-frequency woofer	15-inch 4-inch voice coil sandwich cone
Nominal impedance	4 Ohm / 8 Ohm
Power rating <sup>1</sup>	1000 W
Connectors	Banana jack screw terminals
Dimension (W x H x D)	540 x 1210 x 307 mm
Net weight	49 kg

<sup>1</sup> - 2 hour power test, IEC filtered noise, 6 dB crest factor

### CONNECTIONS

Use a Hi-pass filter to prevent speaker damage and distorted sound by eliminating low non-audible frequencies in the input signal.

Do not exceed the input powers, abovementioned in the specifications, while exploiting the speaker system.

The speaker system comes with banana jack screw terminals for connection to the amplifier.

### CTA-2010 RESULTS

SPL(dB) scaled to 1m peak equivalent

Model	Driver	Loading	Dimensions WxHxD		avg				avg					
Hammer 15	15"	ported	540 x 1210 x 307mm	80 Hz	40-63 Hz	63 Hz	50 Hz	40 Hz	20-31,5 Hz	31,5 Hz	25 Hz	20 Hz	18 Hz	16 Hz
				134	128,9	132	129	124	120,6	121,5	121	119	112	108