

# SUBWOOFER

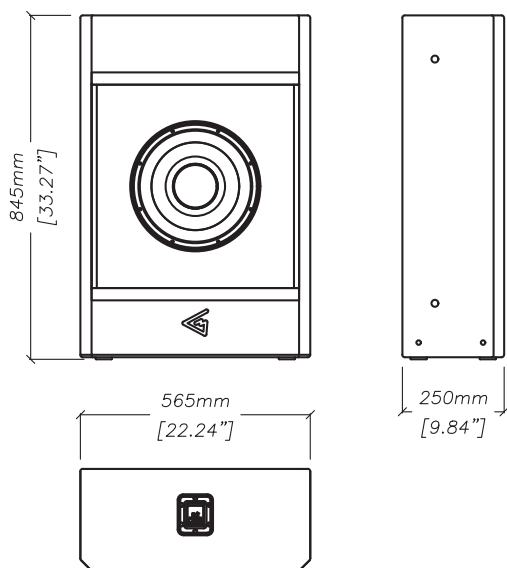
Series



## DBA12

### DOUBLE BASS ARRAY

DBA12 is a speaker specially created for double bass array setup for unprecedented home cinema sound performance. A tailored 12-inch woofer features low distortion and outstanding sensitivity, while long-excursion rubber suspension extends the range of linear movement, significantly improving the linearity.



### CONNECTIONS

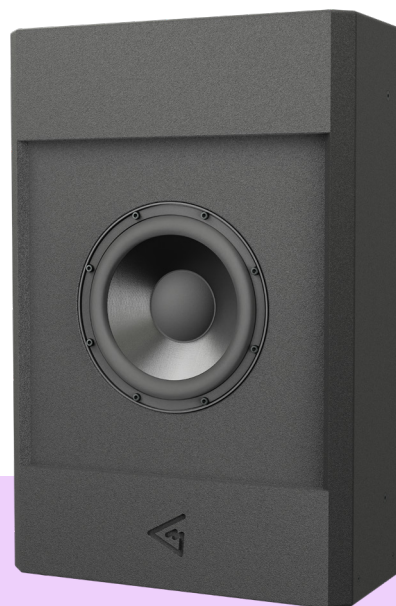
Use a Hi-pass filter to prevent speaker damage and distorted sound by eliminating low non-audible frequencies in the input signal.

Do not exceed the input powers, abovementioned in the specifications, while exploiting the speaker system.

The speaker system comes with phoenix terminals for connection to the amplifier.

### SAFETY INSTRUCTIONS

1. Do not pour liquids on the speaker system - this may cause driver cone destruction and an unappealing speaker appearance. Do not allow direct sunlight on the speaker cone - this will reduce its resource dramatically. For fire safety do not install the speaker system near open flames or heating elements.
2. Do not use the speaker system with the damaged connector or speaker cable - this is an electric shock hazard and fire hazard.
3. Make sure the speaker system is firmly set up on the ceiling, stage, or wall (where applicable).
4. While setting the speaker system up on a slope or slippery surface, make necessary arrangements to avoid its movement due to its vibration.
5. This loudspeaker system is capable of delivering a significant sound pressure level. To avoid permanent or temporary hearing damage or loss, prolonged exposure to sound pressure levels exceeding values over 90 dB should be limited.



### SPECIFICATIONS

Frequency response ( $\pm 3$ dB)	33 - 200 Hz
Frequency range (-10 dB)	27 - 500 Hz
Max continuous SPL	117 dB
Sensitivity (1W/1m half-space)	92 dB
Low-frequency woofer	12-inch (2-inch voice coil) rubber surround long-excursion woofer
Nominal impedance	8 Ohm
Power rating	300 W
Connectors	Phoenix terminals
Mounting	Antishock wall mounting adapters 4x M5 points for floor mounting
Dimension (WxHxD)	565x845x250 mm
Net weight	32 kg